



# S-LINE 600 UM

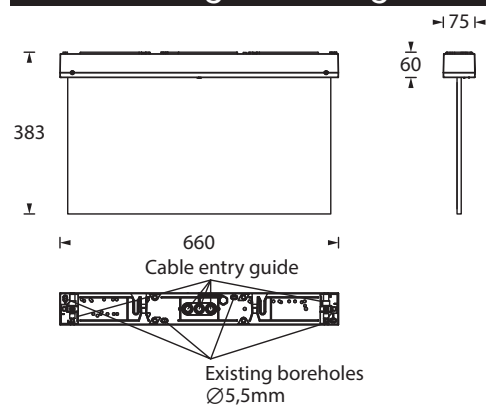
Escape sign luminaire according to DIN EN 60598-1/2-22 and DIN EN 1838. Very slim, robust polycarbonate housing with an easy-to-use locking mechanism. Can be used for wall or ceiling mounting. Pre-stamped mounting and cable entry openings from top or rear. For wall mounting, an unobtrusive wall adapter with click system is included. The 10 mm acrylic panel is illuminated with 2x 3 watt LED strips and a pictogram set - arrow left/right/down/up/blind (visibility distance 60m) is included.

## Technical specifications

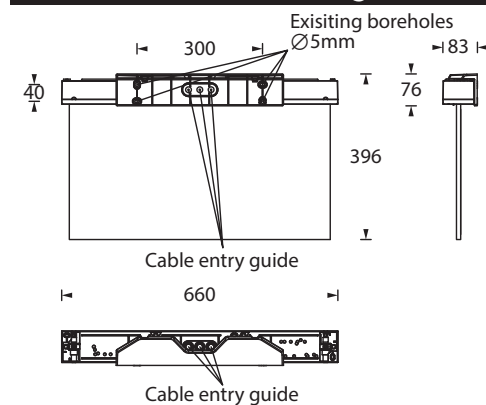
Luminaire type	Luminaire for central battery systems	Self contained luminaire
Illuminant	2 x 3 W LED-bar	
Visibility distance	60 m	
Connecting terminals	2 x 2,5 mm <sup>2</sup> for double assignment	
Colour	white	
Material	Polycarbonate	
Mounting type	Wall-/ceiling mounting	
Dimensions (W x H x D)	DM 660 x 383 x 75 mm WM 660 x 396 x 83 mm	
Protection class	IP65	
Safety class	II	
IK Safety class	IK03	
Light current (Net)	930 lm	
Luminous flux Emergency (DC) / mains	-	16% / 100% (1h) 16% / 100% (3h) 10% / 100% (8h)
Power consumption	15,0 VA	18,7 VA
Battery current input	41 mA	-
Rated operating time Battery operation	-	1h / 3h / 8h
Voltage supply	230V 50/60Hz; 220V DC +25/-20%	230V 50/60Hz
NiMh-battery	-	4,8V 2,0Ah (1h) 4,8V 2,0Ah (3h) 4,8V 2,0Ah (8h)
Temperature range	-10°C to +40°C	-
Non-maintained mode	-	0°C to +35°C
Maintained mode	-	-5°C to +30°C
optional	ELC MSÜ3 SET009 SET010	SELF CHECK SAFELOG Line SAFELOG Wireless
Multi-switch and monitoring module		



## Ceiling mounting



## Wall mounting



## Accessories

Set for parallel wall mounting