

23m

1W
LED

IP40

Farbe / Colour


LBOARD E200-S RIVA

Dynamic safety sign (DSZ), one-sided for recessed ceiling mounting made of powder-coated sheet steel in white for dynamic (variable direction) escape routing.

The DSZ is capable of displaying two different states (escape sign and blocking).

The direction of the rescue sign is selectable and must be specified separately when ordering.

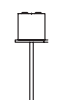
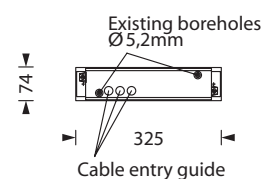
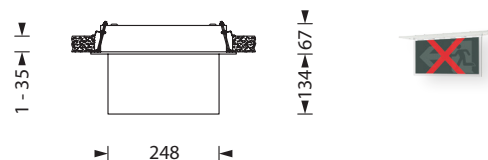
The blocking sign is a fixed component of the pane and cannot be deselected.

Technical specifications

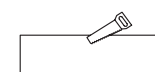
Visibility distance	23 m
Connecting terminals Net	3 x 2.5 mm ² for double assignment
Connecting terminals RIVA	2 x 1.5 mm ² for double assignment
Casing/colour	Sheet steel, white other colours available on request
Type of assembly	Recessed ceiling mounting
Dimensions (W x H x D)	325 x 201 x 74 mm
Protection class	IP40
Safety class	I

Luminaires for central battery systems

Illuminant	1W LED-bar
Light current mains operation	130lm
Power consumption	4,5VA
Battery current input	11mA
Voltage supply	230V 50/60Hz / 220V DC +25/-20%
Temperature range	-10°C to +40°C
optional:	
Multi-switch and monitoring module	ELC, MSÜ3 SET009, SET010



10

min. 308 x 60
max. 314 x 65

Accessories

Cement assembly box E200-S

Pictograms*

	Exit pictogram FR + „X“
	Exit pictogram FL + „X“
	Exit pictogram FU + „X“
	Exit pictogram FO + „X“

* 1 pictogram included in the delivery.
Please specify when ordering.



The DSZ (LBOARD E200-S RIVA) enables dynamic escape routing (DFWL). The DSZ is used for evacuation from a dangerous area into a safe area.

Escape route clear



Escape route blocked

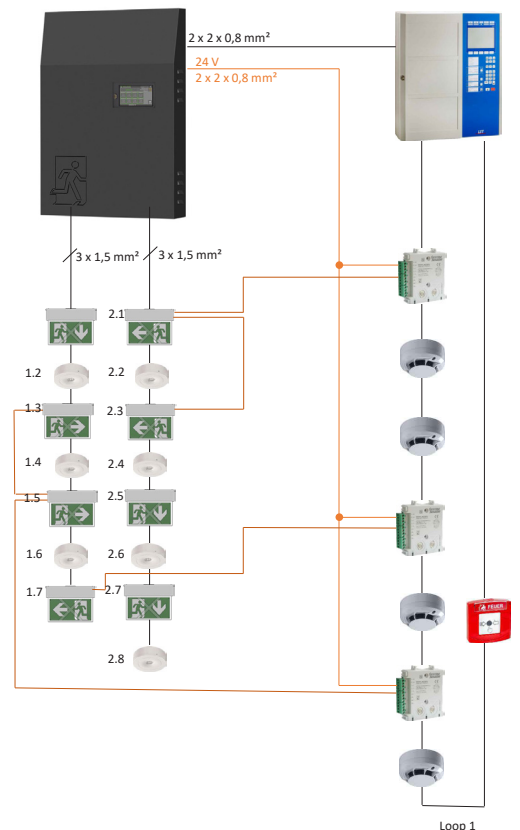
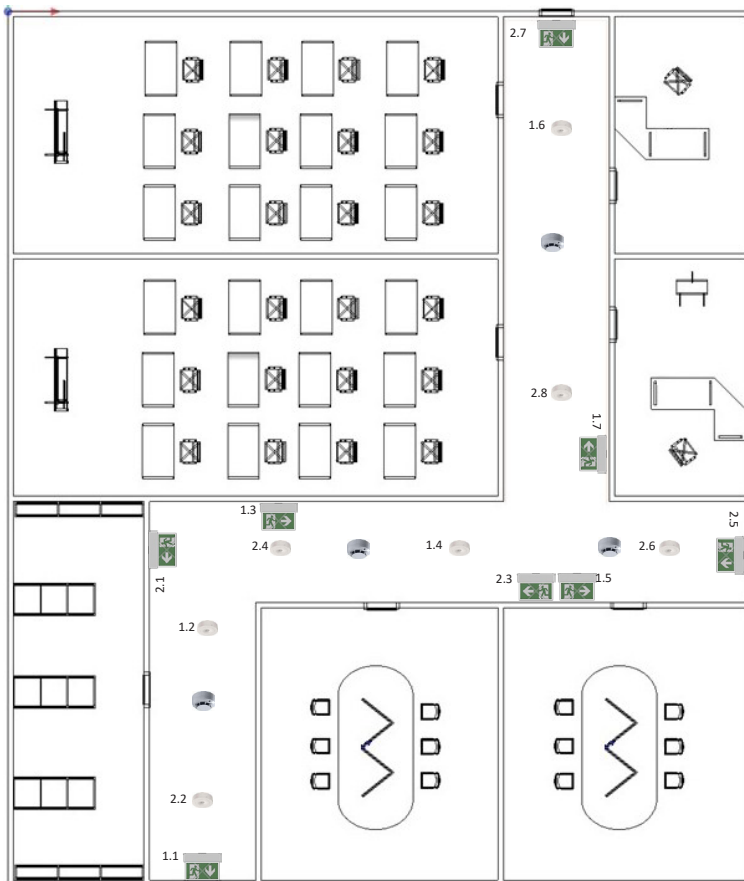


The escape and rescue route is blocked with a red „X“, whereby the escape sign is not backlit. Different operating modes can be set on the DSZ, for example a static or flashing red „X“.

Modes of operation:

How can RIVA luminaires block escape/rescue routes in conjunction with a fire alarm system?

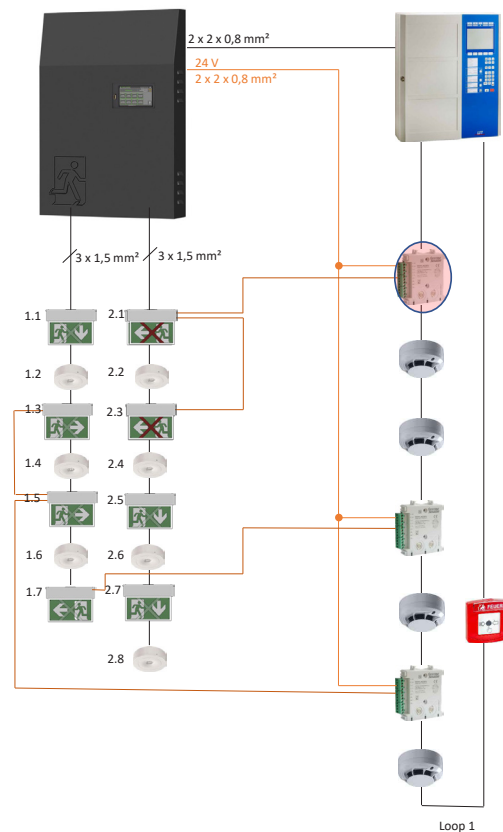
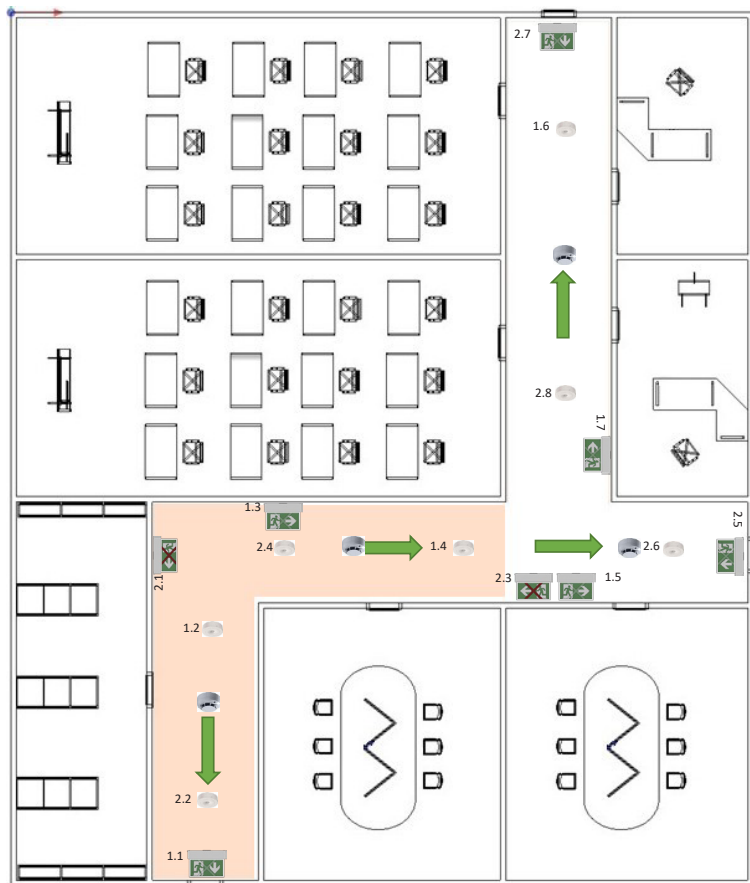
Normal state: No danger ⇒ All routes unblocked



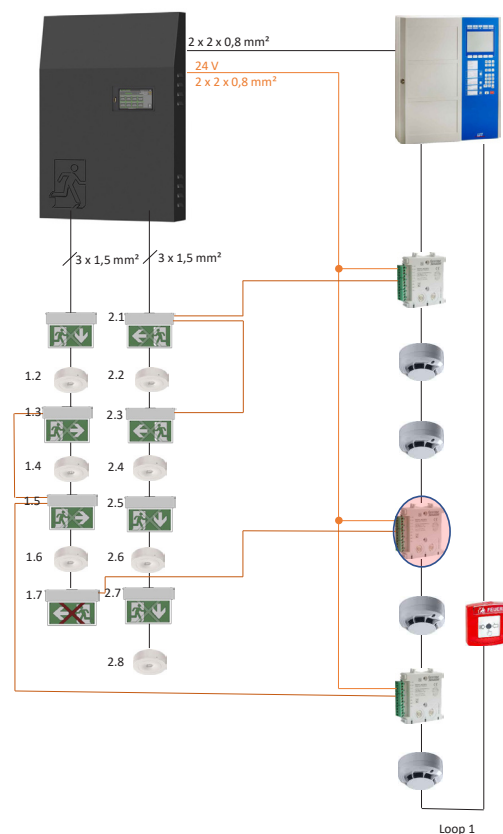
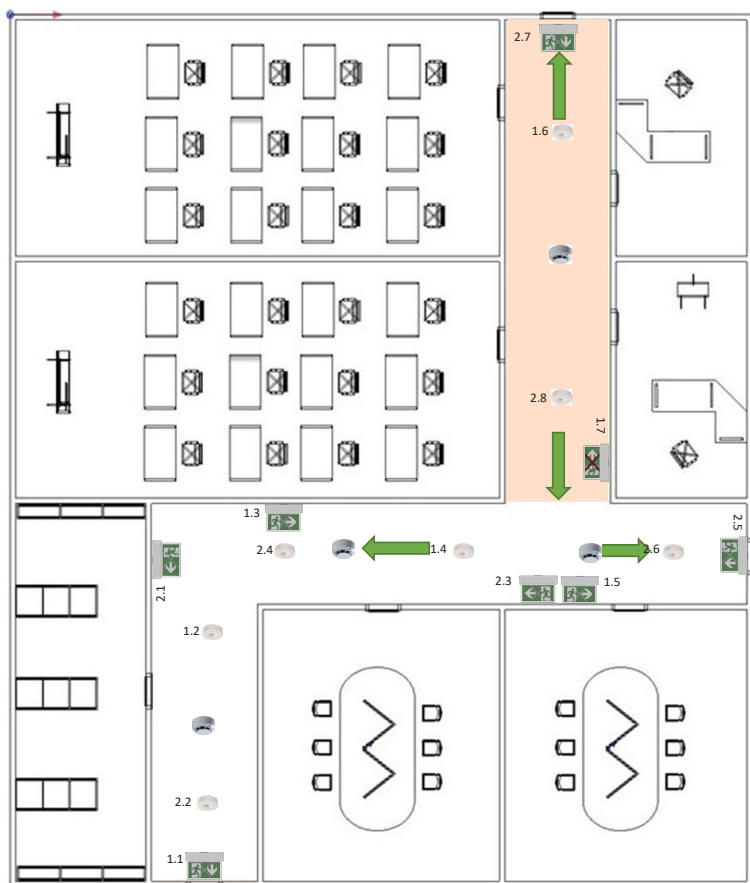
Continued on next page

Technische Änderungen vorbehalten / Technical changes reserved

Scenario 1: Fire in area A ⇒ Fire alarm system gives control signal to rescue signs 2.1 and 2.3 and blocks (red X) so that no persons run into or through the dangerous area



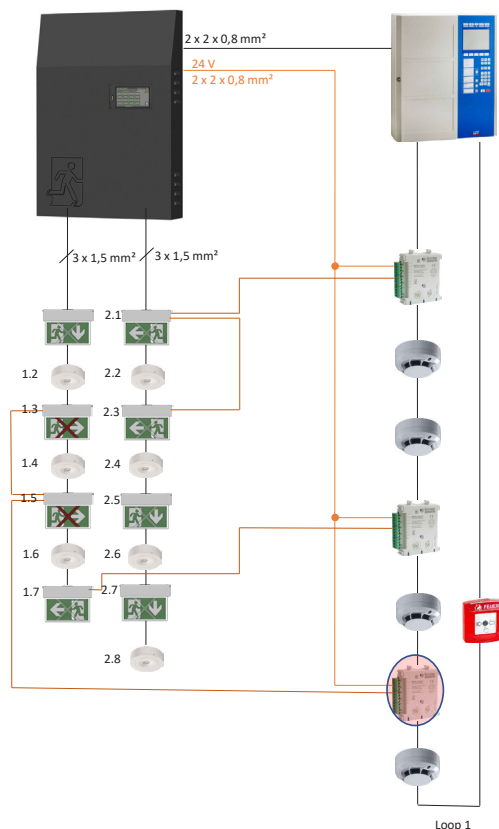
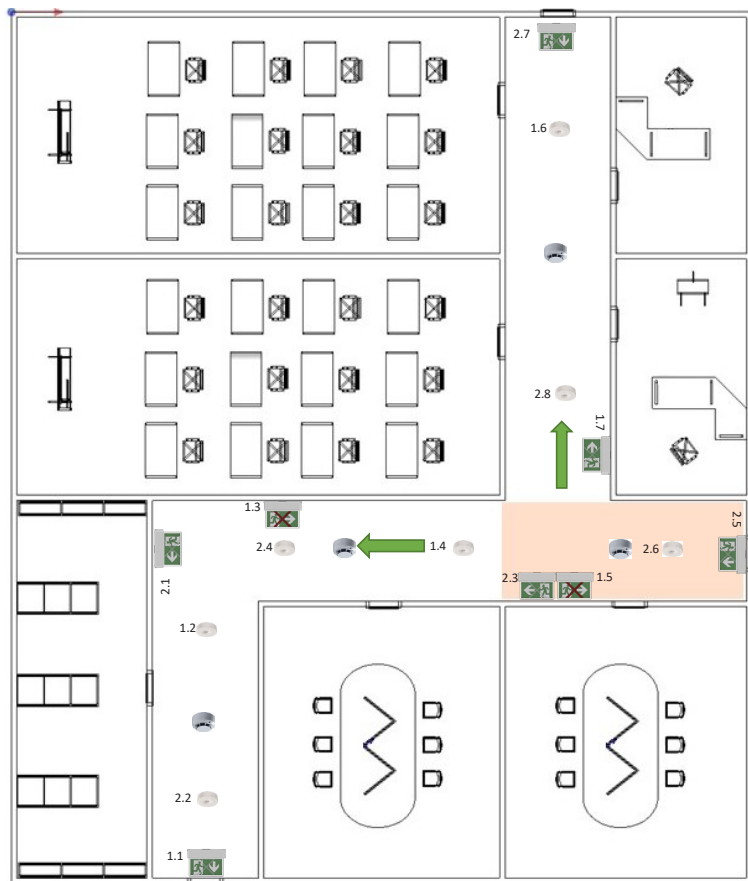
Scenario 2: Fire in area B ⇒ Fire alarm system gives control signal to rescue sign 1.7 and locks (red X) so that no persons can run into the dangerous area



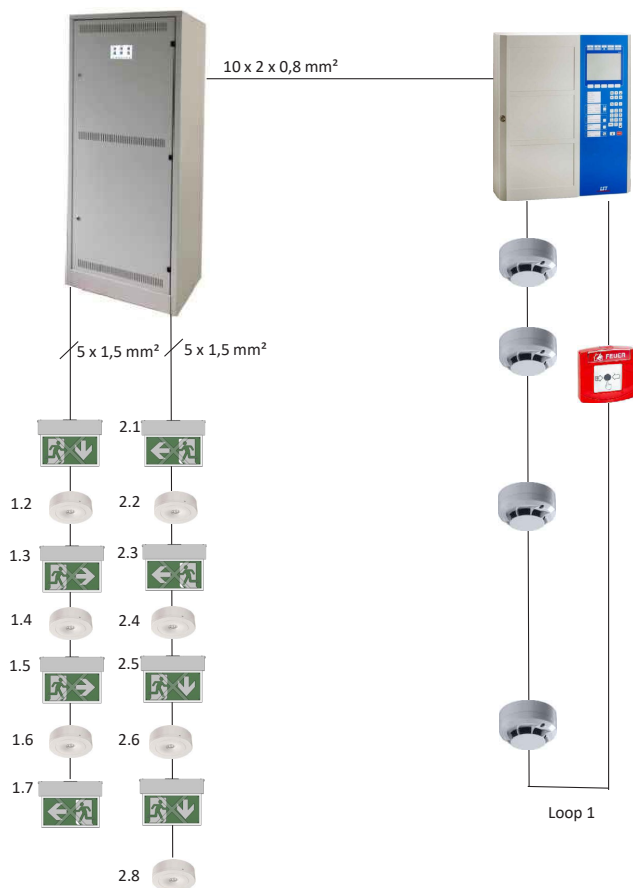
Technische Änderungen vorbehalten / Technical changes reserved

Continued on next page

Scenario 3: Fire in area C ⇒ Fire alarm system gives control signal to escape signs 1.3 and 1.5 and blocks (red X) so that no people run into or through the dangerous area



Connection diagram (example): RIVA luminaires in connection with fire alarm system and CPS/LPS



NOTE:
The exact wiring diagram must be requested from the manufacturer of the fire alarm system or CPS / LPS-System

Technische Änderungen vorbehalten / Technical changes reserved