

23m

1W
LED2W
LED

IP40

Farbe / Colour


ALULINE E200 DE

Elegant and modern design, made of aluminum in white or black, special colors possible. The luminaire is suitable for recessed ceiling mounting. With the optional wall bracket the luminaire can also be used for recessed wall mounting in cavity walls. Convenient installation due to circular cutout. Installation box and container are included in the scope of delivery. With the two accessory sets, central pendulum and wire mounting, the luminaire is very changeable and versatile.

The 10 mm light-deflecting pane is illuminated with a 1 or 2 watt LED-bar. A pictogram set with arrow left / right / down / blind is already enclosed.

The luminaire can also be installed together with a HALOX concrete recessed housing.¹⁾

Technical specifications

Visibility distance	23 m
Connecting terminals	2 x 2,5 mm ² for double assignment
Casing/colour	Aluminum die-cast / white or black
Type of assembly	Recessed ceiling mounting, with wall bracket also recessed wall mounting in cavity walls

Dimensions

Luminaire (W x H x D) 254 x 164 x 78 mm

Container (W x H x D) 315 x 73 x 30 mm

Protection class IP40

Safety class II

Illuminant	■ Luminaires for central battery systems		■ Self contained luminaires	
	1 W LED-bar	2 W LED-bar	1 W LED-bar	2 W LED-bar
Light current mains operation	130lm	260lm	130lm	260lm
Luminous flux				
Emergency (DC)/mains 1h/3h/8h	-		15-50%/100%	
Power consumption	4,5 VA	5,5 VA	4,5 VA	5,5 VA
Battery current input	11 mA	14 mA	-	
Rated operating time				
Battery operation	-		1h/3h/8h	
Voltage supply	230V 50/60Hz / 220V DC +25/-20%		230V 50/60Hz	
NiMH-Akku	-		4,8V 0,8Ah	
Temperature range	-10°C to +40°C		-	
Non-maintained mode	-		-0°C to +35°C	
Maintained mode	-		-5°C to +30°C	
optional:				
Multi-switch and monitoring module	ELC, MSÜ3, SET009, SET010		-	
Self monitoring	-		SELF CHECK	
Central monitoring	-		SAFELOG Line SAFELOG Wireless	

Accessories

Central pendulum set

Cable assembly set

Universal cover plate for ceiling cutouts


Wall bracket for recessed mounting

Various single pictograms as well as sets

Pictogram-set*

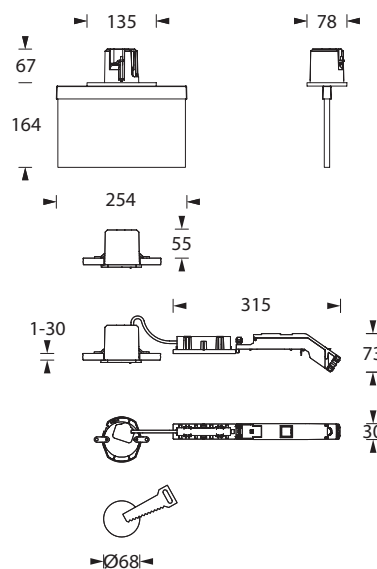
 Exit pictogram FR

 Exit pictogram FL

 Exit pictogram FU

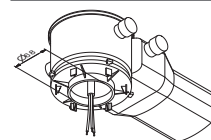
 Blind pane

* Pictogram-set included in the delivery. Other pictograms available on request.

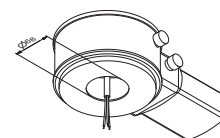


Attention: Minimum installation depth 130mm

¹⁾ Allowed recessed housings from Comp. Kaiser (not included in the delivery): Recessed housings for on-side mixed concrete



HALOX 100 Kaiser Art. No. 1281-00
with tunnel 190 Kaiser Art. No. 1281-30
with e.g. cover Kaiser Art. No. 1281-01



HALOX 180 Kaiser Art. No. 1282-00
with tunnel 190 Kaiser Art. No. 1282-30
with e.g. cover Kaiser Art. No. 1282-01