

2x3W
LED

IP65

SAFE W-90

Model for wall mounting with two high-performance LEDs and cast acrylic optics. Weather-proof aluminum die-casting housing with a safety glass, for illumination of escape route to the safe area outside a building due to 90° light angle away from the building wall.

Cable inlet into the luminaire possible from the back and from below. Product includes an IP65 membrane pressure compensation valve.

Optionally, the luminaire can be delivered as a central battery version for a temperature range down to -35°C (unmonitored).

Optional the luminaire is available with an external supply unit to mount it outside and the supply unit inside. Also optional is a heating case with battery (4,8V 4,2Ah) to use in environments with lowest permissible temperature of -20°C within the luminaire.

Technical specifications

Connecting terminals	3 x 2,5 mm ² for double assignment
Casing/colour	Aluminum die-cast / graphite grey or white other colours available on request
Type of assembly	Wall mounting
Dimensions (W x H x D)	190 x 190 x 115 mm
Protection class	IP65
Safety class	I

	■ Luminaires for central battery systems	■ Self contained luminaires
Illuminant	2 x 3W LED	2 x 3W LED
Light current	480lm	360lm (net)
Rated operating time 1h/3h	-	480lm (emergency)
Rated operating time 8h	-	240lm (emergency)
Luminous flux		
Emergency (DC)/mains 1h/3h	-	100%/75%
Emergency (DC)/mains 8h	-	50%/75%
Power consumption	10VA	8VA
Battery current input	25mA	-
Voltage supply	230V 50/60Hz / 220V DC +25/-20%	230V 50/60Hz
NiMh-Akku 1h	-	4,8V 2,0Ah
NiMh-Akku 3h/8h	-	4,8V 4,2Ah
Temperature range ^{1) 2)}	-20°C to +40°C	-
non-maintained mode	-	-0°C to +35°C
maintained mode	-	-5°C to +30°C
optional:		
Multi-switch and monitoring module ¹⁾	ELC, MSÜ3, SET009, SET010	-
Self monitoring	-	SELF CHECK
Central monitoring	-	SAFELOG Line SAFELOG Wireless

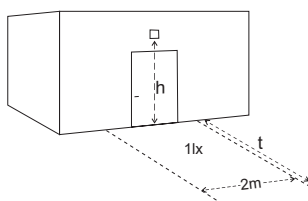
¹⁾ Lowest permissible temperature -10°C in case of use ELC, MSÜ3, SET009, SET010.

²⁾ Optional available with heating case, incl. battery (4,8V 4,2Ah), to use in environments with lowest permissible temperature of -20°C within the luminaire.

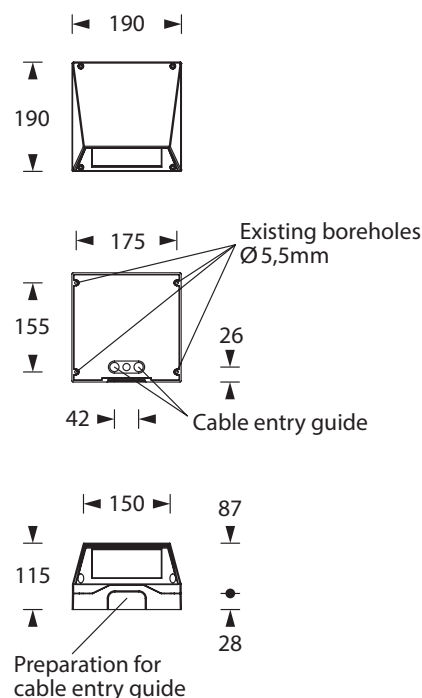
Accessories

Rear mounting bracket

Lighting datas and tables of luminaire distances (E = 1,25 lx)



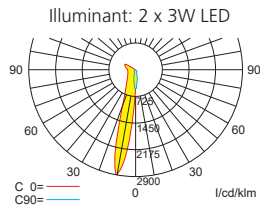
Wall mounting



optional: Heating case

■ Luminaires for central battery systems

Distance table for plane emergency routes / distance data in meters



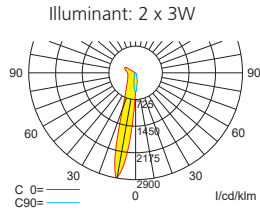
Luminous flux emergency (DC)/mains: 480lm / 480lm

h	2,00	2,50	3,00	3,50	4,00
t	12,50	13,40	13,70	13,50	9,00

Width of the escape route 2m (1lx in the middle and 0,5lx at the edge)

■ Self contained luminaires

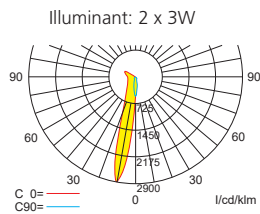
Distance table for plane emergency routes / distance data in meters



Luminous flux emergency/mains: 480lm/360lm - **Rated operating time: 1h/3h**

h	2,00	2,50	3,00	3,50	4,00
t	12,50	13,40	13,70	13,50	9,00

Width of the escape route 2m (1lx in the middle and 0,5lx at the edge)



Luminous flux emergency/mains: 240lm/360lm - **Rated operating time: 8h**

h	2,00	2,50	3,00	3,50	4,00
t	9,80	9,90	6,30	6,00	5,90

Width of the escape route 2m (1lx in the middle and 0,5lx at the edge)