

3W
LED

IP40

IP20



SPOT-LIGHT 80-AL ER

Safety luminaire for recessed ceiling mounting, housing nearly flush with ceiling, made of white polycarbonate.

Different supply containers available.

To reduce maintenance costs, the self-contained version has an easily accessible and tool-free exchangeable battery.

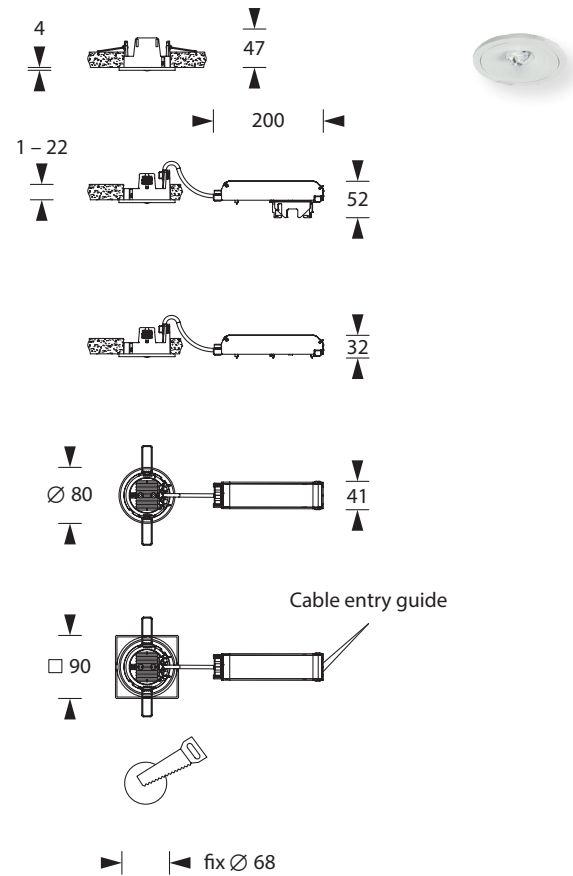
Pre-assembled optic for wide area illumination, optic for escape route illumination enclosed. As an option there is also a rectangular cover frame available.

The safety luminaire is equipped with a 3 watt power LED and built-in LED cooling part made of aluminum.



Technical specifications

Connecting terminals	2 x 2,5 mm ² for double assignment
Casing/colour	Polycarbonate, white / with aluminium heat sink
Type of assembly	Recessed ceiling mounting
Dimensions	
Luminaire body (ØxD)	80 x 47 mm
Container (WxHxD)	200 x 32 x 41 mm/Luminaire for CPS 200 x 52 x 41 mm/Self contained luminaire
Protection class	
Luminaire body	IP40
Container	IP20
Safety class	II



	■ Luminaires for central battery systems	■ Self contained luminaires
Illuminant	3W LED	3W LED
Light current	240lm	50lm (net)
Rated operating time 1h/3h	-	240lm (emergency)
Rated operating time 8h	-	110lm (emergency)
Luminous flux		
Emergency (DC)/mains 1h/3h	-	100% / 20%
Emergency (DC)/mains 8h	-	50% / 20%
Power consumption	6VA	5VA
Battery current input	15mA	-
Voltage supply	230V 50/60Hz / 220V DC +25/-20%	230V 50/60Hz
NiMh-Akku 1h/3h/8h	-	4,8V 2,0Ah
Temperature range	-10°C to +40°C	-
non-maintained mode	-	0°C to +35°C
maintained mode	-	-5°C to +30°C
optional:		
Multi-switch and monitoring module	ELC, MSÜ3, SET009, SET010	-
Self monitoring	-	SELF CHECK
Central monitoring	-	SAFELOG Line SAFELOG Wireless

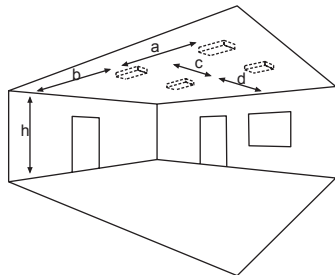
Attention: Minimum installation depth 100mm

Accessories

Square frame

Technische Änderungen vorbehalten/Technical changes reserved

Lighting datas and tables of luminaire distances (E = 1,25 lx)



Ceiling installation

■ Luminaires for central battery systems Wide area optic Distance table for plane emergency routes / distance data in meters

Illuminant: 3W LED Luminous flux emergency (DC)/mains: 240lm / 240lm

h	2,50	3,00	3,50	4,00	4,50	5,00	5,50	6,00	6,50	7,00	7,50	8,00	8,50	9,00	9,50	10,00	10,50	11,00	11,50
a	9,40	10,60	11,50	12,20	12,90	13,30	9,50	8,50	7,40	6,00	-	-	-	-	-	-	-	-	-
b	4,10	4,40	4,60	4,80	4,40	2,50	1,50	1,00	0,90	0,80	-	-	-	-	-	-	-	-	-
c	9,40	10,60	11,50	12,20	12,90	13,30	9,50	8,50	7,40	6,00	-	-	-	-	-	-	-	-	-
d	4,10	4,40	4,60	4,80	4,40	2,50	1,50	1,00	0,90	0,80	-	-	-	-	-	-	-	-	-

■ Self contained luminaires Wide area optic Distance table for plane emergency routes / distance data in meters

Illuminant: 3W LED Luminous flux emergency/mains: 240lm/50lm – Rated operating time: 1h/3h

h	2,50	3,00	3,50	4,00	4,50	5,00	5,50	6,00	6,50	7,00	7,50	8,00	8,50	9,00	9,50	10,00	10,50	11,00	11,50
a	9,40	10,60	11,50	12,20	12,90	13,30	9,50	8,50	7,40	6,00	-	-	-	-	-	-	-	-	-
b	4,10	4,40	4,60	4,80	4,40	2,50	1,50	1,00	0,90	0,80	-	-	-	-	-	-	-	-	-
c	9,40	10,60	11,50	12,20	12,90	13,30	9,50	8,50	7,40	6,00	-	-	-	-	-	-	-	-	-
d	4,10	4,40	4,60	4,80	4,40	2,50	1,50	1,00	0,90	0,80	-	-	-	-	-	-	-	-	-

Illuminant: 3W LED Luminous flux emergency/mains: 110lm/50lm – Rated operating time: 8h

h	2,50	3,00	3,50	4,00	4,50	5,00	5,50	6,00	6,50	7,00	7,50	8,00	8,50	9,00	9,50	10,00	10,50	11,00	11,50
a	7,90	8,70	8,90	5,40	-	-	-	-	-	-	-	-	-	-	-	-	-	-	-
b	3,20	3,10	1,30	1,00	-	-	-	-	-	-	-	-	-	-	-	-	-	-	-
c	7,90	8,70	8,90	5,40	-	-	-	-	-	-	-	-	-	-	-	-	-	-	-
d	3,20	3,10	1,30	1,00	-	-	-	-	-	-	-	-	-	-	-	-	-	-	-

■ Luminaires for central battery systems Escape route optic Distance table for plane emergency routes / distance data in meters

Illuminant: 3W LED Luminous flux emergency (DC)/mains: 240lm / 240lm

h	2,50	3,00	3,50	4,00	4,50	5,00	5,50	6,00	6,50	7,00	7,50	8,00	8,50	9,00	9,50	10,00	10,50	11,00	11,50
a	17,70	19,80	21,60	23,60	25,50	27,00	28,20	17,70	14,80	14,80	13,10	6,00	-	-	-	-	-	-	-
b	7,70	8,70	9,60	10,10	10,40	10,30	9,10	6,20	6,20	6,00	6,00	6,00	-	-	-	-	-	-	-
c	-	-	-	-	-	-	-	-	-	-	-	-	-	-	-	-	-	-	-
d	-	-	-	-	-	-	-	-	-	-	-	-	-	-	-	-	-	-	-

■ Self contained luminaires Escape route optic Distance table for plane emergency routes / distance data in meters

Illuminant: 3W LED Luminous flux emergency/mains: 240lm/50lm – Rated operating time: 1h/3h

h	2,50	3,00	3,50	4,00	4,50	5,00	5,50	6,00	6,50	7,00	7,50	8,00	8,50	9,00	9,50	10,00	10,50	11,00	11,50
a	17,70	19,80	21,60	23,60	25,50	27,00	28,20	17,70	14,80	14,80	13,10	6,00	-	-	-	-	-	-	-
b	7,70	8,70	9,60	10,10	10,40	10,30	9,10	6,20	6,20	6,00	6,00	6,00	-	-	-	-	-	-	-
c	-	-	-	-	-	-	-	-	-	-	-	-	-	-	-	-	-	-	-
d	-	-	-	-	-	-	-	-	-	-	-	-	-	-	-	-	-	-	-

Illuminant: 3W LED Luminous flux emergency/mains: 110lm/50lm – Rated operating time: 8h

h	2,50	3,00	3,50	4,00	4,50	5,00	5,50	6,00	6,50	7,00	7,50	8,00	8,50	9,00	9,50	10,00	10,50	11,00	11,50
a	15,10	17,10	18,60	12,50	-	-	-	-	-	-	-	-	-	-	-	-	-	-	-
b	6,60	7,00	6,90	4,30	-	-	-	-	-	-	-	-	-	-	-	-	-	-	-
c	-	-	-	-	-	-	-	-	-	-	-	-	-	-	-	-	-	-	-
d	-	-	-	-	-	-	-	-	-	-	-	-	-	-	-	-	-	-	-