

15W  
LED30W  
LED

IP40

# ARCLUX

General luminaire and safety luminaire with optional microwave motion sensor, suitable for monitored control gear with switch input. The cover is opal PMMA (thermoplastic), the lower part is made from steel sheet. Quick to install due to screwless mounting.

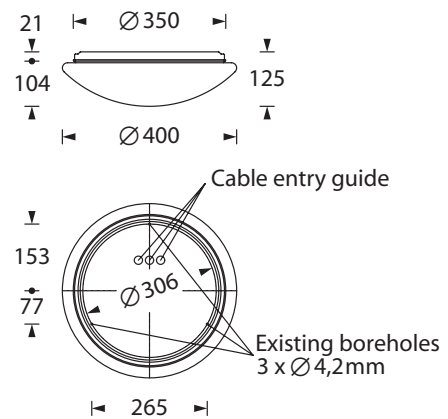
The luminaire is for wall and ceiling mounting and equipped with either 1.250lm or 2.500lm light current and for self contained luminaire 1.000lm.

## Technical specifications

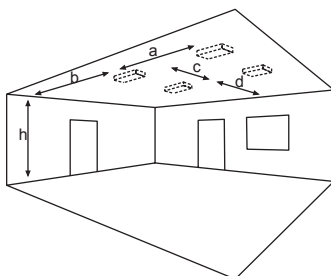
Connecting terminals	3 x 2,5 mm <sup>2</sup> for double assignment
Casing/colour	Steel sheet / PMMA / cover opal
Light colour	4.000 K
Type of assembly	Wall and ceiling mounting
Dimensions (Ø x D)	400 x 125 mm
Protection class	IP40
Safety class	I



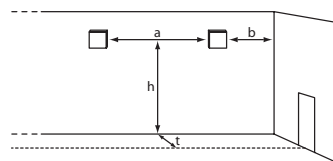
	■ Luminaires for central battery systems		■ Self contained luminaires
Illuminant	15W LED	30W LED	15W LED
Light current	1.250lm	2.500lm	1.000lm (net)
Rated operating time 1h/3h	-	-	600lm (emergency)
Rated operating time 8h	-	-	270lm (emergency)
Luminous flux			
Emergency (DC)/mains 1h/3h	-	-	60% / 100%
Emergency (DC)/mains 8h	-	-	25% / 100%
Power consumption	19,2VA	25VA	18,7VA (1h) 20,3VA (3h/8h)
Battery current input	50mA	100mA	-
Voltage supply	230V 50/60Hz / 220V DC +25/-20%		230V 50/60Hz
NiMh-Akku 1h	-	-	4,8V 2,0Ah
NiMh-Akku 3h/8h	-	-	4,8V 4,2Ah
Temperature range	-10°C to +40°C		-
non-maintained mode	-	-	0°C to +35°C
maintained mode	-	-	-5°C to +30°C
optional:			
Multi-switch and monitoring module	ELC, MSÜ3, SET009, SET010 DALI		-
Self monitoring	-	-	SELF CHECK
Central monitoring	-	-	SAFELOG Line SAFELOG Wireless



## Lighting datas and tables of luminaire distances (E = 1,25 lx)



Ceiling mounting



Wall mounting

**Luminaires for central battery systems Ceiling mounting** Distance table for plane emergency routes / distance data in meters

illuminant: 15W LED-modul Luminous flux emergency (DC)/mains: 1.250lm / 1.250lm

h	2,00	3,00	4,00	5,00	6,00	7,00	8,00	9,00	10,00	11,00	12,00	13,00	14,00	15,00	16,00	17,00	18,00	19,00	20,00	21,00
a	-	-	-	-	-	-	-	-	-	-	-	-	-	-	-	-	-	-	-	-
b	-	-	-	-	-	-	-	-	-	-	-	-	-	-	-	-	-	-	-	-
c	11,40	13,70	15,10	16,30	17,10	17,70	18,10	18,20	18,20	17,90	17,50	16,70	15,80	13,60	-	-	-	-	-	-
d	4,60	5,40	5,90	6,20	6,40	6,40	6,30	6,00	5,50	4,80	3,70	1,60	1,60	1,50	-	-	-	-	-	-

illuminant: 30W LED-modul Luminous flux emergency (DC)/mains: 2.500lm / 2.500lm

h	2,00	3,00	4,00	5,00	6,00	7,00	8,00	9,00	10,00	11,00	12,00	13,00	14,00	15,00	16,00	17,00	18,00	19,00	20,00	21,00
a	-	-	-	-	-	-	-	-	-	-	-	-	-	-	-	-	-	-	-	-
b	-	-	-	-	-	-	-	-	-	-	-	-	-	-	-	-	-	-	-	-
c	11,40	17,00	18,90	20,70	21,80	22,90	23,80	24,50	25,10	25,60	25,60	25,90	25,70	25,60	25,20	24,70	24,10	23,10	22,10	20,00
d	4,60	6,80	7,50	8,10	8,50	8,80	9,00	9,10	9,10	8,90	8,70	8,30	7,90	7,20	6,40	5,20	3,40	3,30	3,20	2,00

**Luminaires for central battery systems Wall mounting** Distance table for plane emergency routes / distance data in meters

illuminant: 15W LED-modul Luminous flux emergency (DC)/mains: 1.250lm / 1.250lm

t=1m	h	2,00	2,50	3,00	3,50	4,00
t=1m	a	10,50	10,90	11,00	11,30	11,30
t=1m	b	4,00	4,10	4,10	4,00	4,00
t=2m	a	10,90	11,50	11,90	11,90	12,30
t=2m	b	4,30	4,50	4,50	4,30	4,30
t=3m	a	11,30	11,90	12,30	12,70	12,70
t=3m	b	4,30	4,50	4,50	4,70	4,50

illuminant: 30W LED-modul Luminous flux emergency (DC)/mains: 2.500lm / 2.500lm

t=1m	h	2,00	2,50	3,00	3,50	4,00
t=1m	a	12,70	13,50	14,10	14,70	14,90
t=1m	b	5,30	5,50	5,50	5,70	5,50
t=2m	a	14,10	14,90	15,10	15,70	16,10
t=2m	b	5,50	5,80	6,00	6,00	6,00
t=3m	a	14,30	15,50	15,70	16,30	16,70
t=3m	b	5,70	6,00	6,20	6,40	6,40

**Self contained luminaires Ceiling mounting** Distance table for plane emergency routes / distance data in meters

illuminant: 15W LED-modul Luminous flux emergency/mains: Rated operating time: 1h/3h

h	2,00	3,00	4,00	5,00	6,00	7,00	8,00	9,00	10,00	11,00	12,00
a	9,30	10,70	11,70	12,30	12,60	12,60	12,20	11,60	10,00	-	-
b	3,70	4,20	4,40	4,40	4,20	3,80	2,90	1,10	1,00	-	-
c	9,30	10,70	11,70	12,30	12,60	12,60	12,20	11,60	10,00	-	-
d	3,70	4,20	4,40	4,40	4,20	3,80	2,90	1,10	1,00	-	-

illuminant: 15W LED-modul Luminous flux emergency/mains: 270lm/1.000lm - Rated operating time: 8h

h	2,50	3,00	3,50	4,00	4,50	5,00	5,50	6,00	6,50	7,00	7,50
a	7,70	8,10	8,30	8,40	8,40	8,40	8,10	7,80	7,30	6,20	-
b	2,90	3,00	2,90	2,80	2,60	2,30	1,80	0,90	0,80	0,80	-
c	7,70	8,10	8,30	8,40	8,40	8,40	8,10	7,80	7,30	6,20	-
d	2,90	3,00	2,90	2,80	2,60	2,30	1,80	0,90	0,80	0,80	-

**Self contained luminaires Wall mounting** Distance table for plane emergency routes / distance data in meters

illuminant: 15W LED-modul Luminous flux emergency/mains: 600lm/1.000lm - Rated operating time: 1h/3h

t=1m	h	2,00	2,50	3,00	3,50	4,00
t=1m	a	7,90	7,90	7,90	8,10	7,70
t=1m	b	2,80	2,80	2,80	2,50	2,00
t=2m	a	8,50	8,50	8,90	8,70	8,30
t=2m	b	3,20	3,20	3,00	2,80	2,50
t=3m	a	8,50	8,90	8,90	8,90	8,90
t=3m	b	3,00	3,00	3,00	2,80	2,50

illuminant: 15W LED-modul Luminous flux emergency/mains: 270lm/1.000lm - Rated operating time: 8h

t=1m	h	2,00	2,50	3,00	3,50	4,00
t=1m	a	5,50	5,50	5,10	-	-
t=1m	b	1,10	1,70	1,10	-	-
t=2m	a	5,90	5,90	5,50	-	-
t=2m	b	1,90	1,70	1,30	-	-
t=3m	a	5,50	5,50	5,50	-	-
t=3m	b	1,30	1,10	0,60	-	-