

22m

1W  
LED

IP54

# L-PLAST 250-T

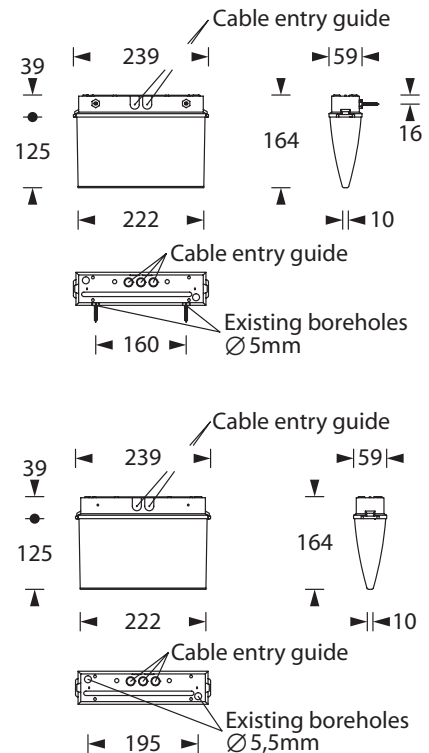
Polycarbonate housing with a transparent light cover for double sided insertable pictogram attachment for wall or ceiling mounting. Recessed mounting with optional recessed ceiling frame.

The luminaire is delivered with a 1 watt LED-bar.

## Technical specifications

Visibility distance	22 m
Connecting terminals	2 x 2,5 mm <sup>2</sup> for double assignment
Casing/colour	Polycarbonate / white (light cover clear)
Type of assembly	Universal mounting
Dimensions (WxHxD)	239 x 164 x 59 mm
Protection class	IP54
Safety class	II

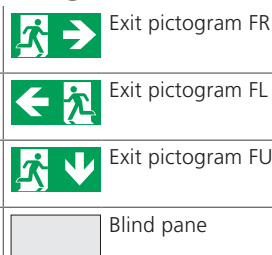
	■ Luminaires for central battery systems	■ Self contained luminaires
Illuminant	1W LED-bar	1W LED-bar
Light current mains operation	130lm	130lm
Luminous flux		
Emergency (DC)/mains		15% -50% / 100%
Power consumption	4,5VA	4,5VA
Battery current input	11mA	-
Rated operating time		
Battery operation	-	1h/3h/8h
Voltage supply	230V 50/60Hz / 220V DC +25/-20%	230V 50/60Hz
NiMh-Akku	-	4,8V 0,8Ah
Temperature range	-10°C to +40°C	-
non-maintained mode	-	-0°C to +35°C
maintained mode	-	-5°C to +30°C
optional:		
Multi-switch and monitoring module	MSÜ3 SET009 SET010	-
Self monitoring	-	SELF CHECK
Central monitoring	-	SAFELOG



## Accessories

Chain assembly set	Exit pictogram FR
Wire guard	Exit pictogram FL
Central pendulum	Exit pictogram FU
Cable assembly set	Blind pane
Recessed ceiling frame only for recessed mounting	

## Pictogram-set\*



\* Pictogram-set included in the delivery. Other pictograms available on request.



Recessed ceiling frame