

30m

1,5W
LED3W
LED

IP40

SMARTLINE E300

Almost ceiling flush casing from sheet steel with clip-on cover plate from aluminum die-cast, powder-coated in white.

Steplessly adjustable clip mechanism for various ceiling thicknesses.

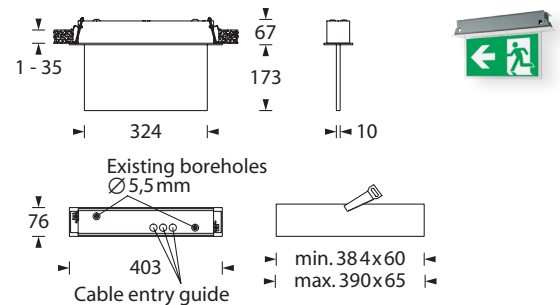
Available as recessed ceiling version with a 10mm light-deflecting pane and exchangeable pictograms.

Optionally available with 1,5 or 3 watt LED-bar.

Technical specifications

Visibility distance	30 m
Connecting terminals	3 x 2,5 mm ² for double assignment
Casing/colour	Sheet steel/Aluminum die-cast, white other colours available on request
Type of assembly	Recessed mounting
Dimensions (WxHxD)	403 x 240 x 76 mm
Protection class	IP40
Safety class	I

Illuminant	■ Luminaires for central battery systems		■ Self contained luminaires	
	1,5W LED-bar	3W LED-bar	1,5W LED-bar	3W LED-bar
Light current mains operation	190lm	350lm	190lm	350lm
Luminous flux				
Emergency (DC)/mains	-		15-50%/100%	
Power consumption	5VA	6VA	5VA	6VA
Battery current input	12mA	19mA	-	
Rated operating time				
Battery operation	-		1h/3h/8h	
Voltage supply	230V 50/60Hz / 220V DC +25/-20%		230V 50/60Hz	
NiMh-Akku	-		4,8V 0,8Ah	
Temperature range	-10°C to +40°C		-	
non-maintained mode	-		-0°C to +35°C	
maintained mode	-		-5°C to +30°C	
optional:				
Multi-switch and monitoring module	MSÜ3 SET009 SET010 -	MSÜ3 SET009 SET010 DALI	-	
Self monitoring	-		SELF CHECK	
Central monitoring	-		SAFELOG	



Accessories

Cement assembly box E300

Pictogram-set*

Exit pictogram FR

Exit pictogram FL

Exit pictogram FU

Blind pane

* Pictogram-set included in the delivery
Other pictograms available on request