

23m

1W  
LED2W  
LED

IP40

# SMARTLINE A200

Flat aluminum die-cast casing in an appealing design.

Easy to handle locking mechanism without screws.

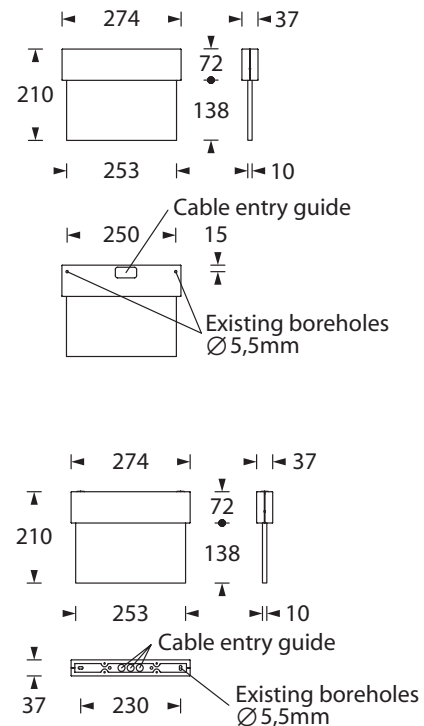
Available as wall or ceiling mounted version with 10 mm light-deflecting pane and exchangeable pictograms.

Optionally available with 1 or 2 watt LED-bar.

## Technical specifications

|                        |  |
|------------------------|--|
| Visibility distance    | 23 m   |
| Connecting terminals   | 3 x 2,5 mm <sup>2</sup> for double assignment                  |
| Casing/colour          | Aluminum die-cast, white<br>other colours available on request |
| Type of assembly       | Parallel wall mounting, ceiling mounting                       |
| Dimensions (W x H x D) | 274 x 210 x 37 mm  |
| Protection class       | IP40   |
| Safety class           | I  |

| Illuminant                         | ■ Luminaires for central battery systems |                                  | ■ Self contained luminaires |            |
|------------------------------------|--|----------------------------------|-----------------------------|------------|
|                                    | 1W LED-bar                               | 2W LED-bar                       | 1W LED-bar                  | 2W LED-bar |
| Light current mains operation      | 130lm                                    | 260lm                            | 130lm                       | 260lm      |
| Luminous flux                      |  |                                  |                             |            |
| Emergency (DC)/mains               | -  |                                  | 15% - 50% / 100%            |            |
| Power consumption                  | 4,5VA                                    | 5,5VA                            | 4,5VA                       | 5,5VA      |
| Battery current input              | 11mA                                     | 14mA                             | -                           |            |
| Rated operating time               |  |                                  |                             |            |
| Battery operation                  | -  |                                  | 1h/3h/8h                    |            |
| Voltage supply                     | 230V 50/60Hz /<br>220V DC +25/-20%       |                                  | 230V 50/60Hz                |            |
| NiMh-Akku                          | -  |                                  | 4,8V 0,8Ah                  |            |
| Temperature range                  | -10°C to +40°C                           |                                  |                             |            |
| non-maintained mode                | -  |                                  | -0°C to +35°C               |            |
| maintained mode                    | -  |                                  | -5°C to +30°C               |            |
| optional:                          |  |                                  |                             |            |
| Multi-switch and monitoring module | MSÜ3<br>SET009<br>SET010<br>-            | MSÜ3<br>SET009<br>SET010<br>DALI | -                           |            |
| Self monitoring                    | -  |                                  | SELF CHECK                  |            |
| Central monitoring                 | -  |                                  | SAFELOG                     |            |



## Accessories

| Accessories                                     | Pictogram-set*                                 |
|---|--|
| Cable assembly set<br>only for ceiling mounting | Exit pictogram FR                              |
| Chain assembly set<br>only for ceiling mounting | Exit pictogram FL                              |
| Central pendulum<br>only for ceiling mounting   | Exit pictogram FU                              |
| Wall bracket, white                             | Blind pane for single-sided pictogram mounting |
| Wire guard<br>only for wall mounting            |  |

\* Pictogram-set included in the delivery.  
Other pictograms available on request.