

30m

3W
LED

IP40

INDEPENDENCE 300

Flat, architectural high quality stainless steel case with shapely, slim enclosure of light guide pane.

Available as ceiling mounting or by adjustment of the upper part as wall mounting.

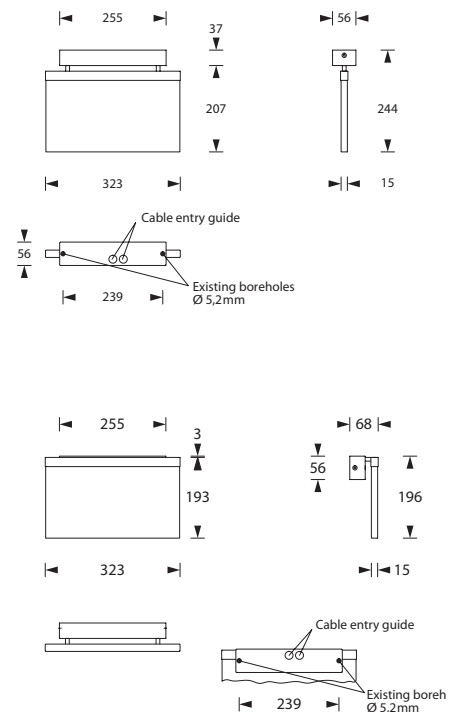
The pictogram-set delivered with a 15mm light-deflecting pane is illuminated with a 3 watt LED-bar.



Technical specifications

Visibility distance	30 m
Connecting terminals	3 x 2,5 mm ² for double assignment
Casing/colour	Stainless steel V4A / Stainless steel brushed
Type of assembly	Wall/ceiling mounting
Dimensions (W x H x D)	
Ceiling mounting	323 x 244 x 56 mm
Wall mounting	323 x 196 x 68 mm
Protection class	IP40
Safety class	I

	■ Luminaires for central battery systems	■ Self contained luminaires
Illuminant	3W LED-bar	3W LED-bar
Light current mains operation	350lm	350lm
Luminous flux		
Emergency (DC)/mains	-	15% - 50% / 100%
Power consumption	6VA	6VA
Battery current input	19mA	-
Rated operating time		
Battery operation	-	1h/3h/8h
Voltage supply	230V 50/60Hz / 220V DC +25/-20%	230V 50/60Hz
NiMh-Akku	-	4,8V 0,8Ah
Temperature range	-10°C to +40°C	-
non-maintained mode	-	-0°C to +35°C
maintained mode	-	-5°C to +30°C
optional:		
Multi-switch and monitoring module	MSÜ3, SET009, SET010, DALI	-
Self monitoring	-	SELF CHECK
Central monitoring	-	SAFELOG



Accessories

Pictogram-set*

	Exit pictogram FR
	Exit pictogram FL
	Exit pictogram FU
	Blind pane

* Pictogram-set included in the delivery.
Other pictograms available on request.