

32m

1,5W
LED

IP54

L-PLAST 300

Polycarbonate housing with opal light cover for double sided pictogram attachment for wall or ceiling mounting.

Optional the luminaire is available with a heating case with battery (4,8V 0,8Ah) to use in environments with lowest permissible temperature of -20°C within the luminaire.

The luminaire is delivered with a 1,5 watt LED-bar.

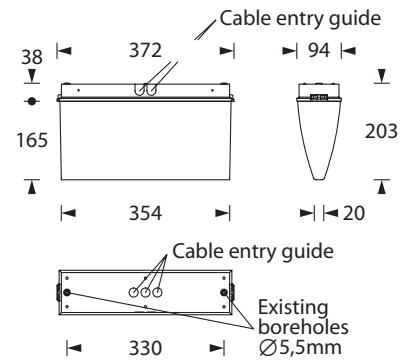
Technical specifications

Visibility distance	32 m
Connecting terminals	2 x 2,5 mm ² for double assignment
Casing/colour	Polycarbonate / white (light cover opal)
Type of assembly	Wall mounting or ceiling mounting
Dimensions (W x H x D)	372 x 203 x 94 mm
Protection class	IP54
Safety class	II



	■ Luminaires for central battery systems	■ Self contained luminaires
Illuminant	1,5W LED-bar	1,5W LED-bar
Light current mains operation	190lm	190lm
Luminous flux		
Emergency (DC)/mains	-	15% -50% / 100%
Power consumption	5VA	5VA
Battery current input	12mA	-
Rated operating time		
Battery operation	-	1h/3h/8h
Voltage supply	230V 50/60Hz / 220V DC +25/-20%	230V 50/60Hz
NiMh-Akku	-	4,8V 0,8Ah
Temperature range	-10°C to +40°C	-
non-maintained mode	-	-0°C to +35°C ¹⁾
maintained mode	-	-5°C to +30°C ¹⁾
optional:		
Multi-switch and monitoring module	MSÜ3 SET009 SET010 DALI	-
Self monitoring	-	SELF CHECK
Central monitoring	-	SAFELOG

¹⁾Optional available with heating case, incl. battery (4,8V 0,8Ah), to use in environments with lowest permissible temperature of -20°C within the luminaire.



optional: Heating case

Accessories

Accessories	Pictogram-set*
Cable assembly set	Exit pictogram FR
Wire guard	Exit pictogram FL
Central pendulum	Exit pictogram FU
Chain assembly set	

* Pictogram-set included in the delivery.
Other pictograms available on request.