

23m

2W  
LED

IP40

# INDEPENDENCE 200

Flat, architectural high quality stainless steel case with shapely, slim enclosure of light guide pane.

Available as ceiling mounting or by adjustment of the upper part as wall mounting or also available as an almost flush ceiling cover as recessed mounting.

The pictogram-set delivered with a 15mm light-deflecting pane is illuminated with a 2 watt LED-bar.




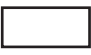
## Technical specifications

Visibility distance	23 m
Connecting terminals	3 x 2,5 mm <sup>2</sup> for double assignment
Casing/colour	Stainless steel V4A / Stainless steel brushed
Type of assembly	Wall, ceiling and recessed mounting
Dimensions (W x H x D)	
Ceiling mounting	255 x 209 x 56 mm
Wall mounting	255 x 161 x 68 mm
Recessed mounting	325 x 239 x 74 mm
Protection class	IP40
Safety class	I

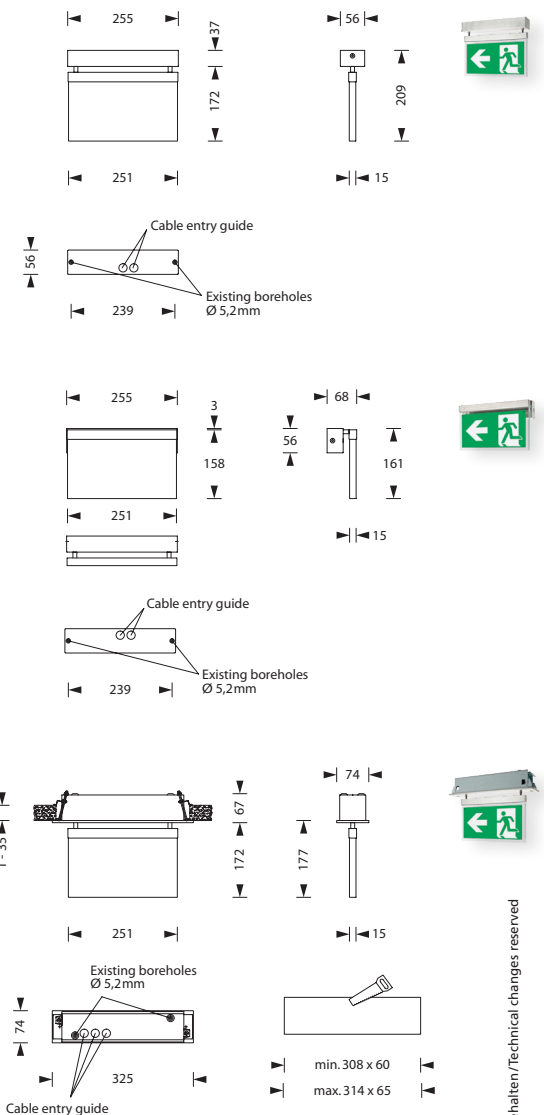
	<span style="color: red;">■</span> Luminaires for central battery systems	<span style="color: blue;">■</span> Self contained luminaires
Illuminant	2W LED-bar	2W LED-bar
Light current mains operation	260lm	260lm
Luminous flux		
Emergency (DC)/mains	-	15% - 50% / 100%
Power consumption	5,5VA	5,5VA
Battery current input	14mA	-
Rated operating time		
Battery operation	-	1h/3h/8h
Voltage supply	230V 50/60Hz / 220V DC +25/-20%	230V 50/60Hz
NiMh-Akku	-	4,8V 0,8Ah
Temperature range	-10°C to +40°C	-
non-maintained mode	-	-0°C to +35°C
maintained mode	-	-5°C to +30°C
optional:		
Multi-switch and monitoring module	MSÜ3, SET009, SET010, DALI	-
Self monitoring	-	SELF CHECK
Central monitoring	-	SAFELOG

## Accessories

### Pictogram-set\*

	Exit pictogram FR
	Exit pictogram FL
	Exit pictogram FU
	Blind pane

\* Pictogram-set included in the delivery.  
Other pictograms available on request.



Technische Änderungen vorbehalten/Technical changes reserved