

30m

3W
LED

IP40

LBOX 300

Housing made from steel sheeting, powder coated in white.

Available as wall- and ceiling-mounted model with pictogram pane (to be ordered separately).

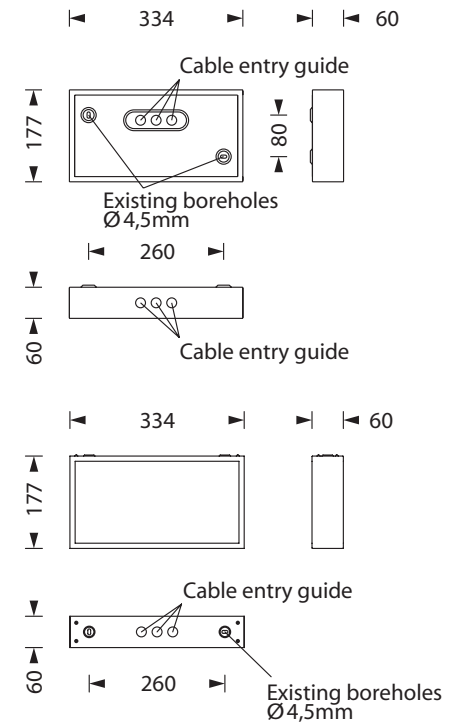
Wall-mounted model with light openings on the underside.

The luminaire is delivered with a 3 watt LED-bar.

Technical specifications

Visibility distance	30 m
Connecting terminals	3 x 2,5 mm ² for double assignment
Casing/colour	Sheet steel / white other colours available on request
Type of assembly	Wall mounting or ceiling mounting
Dimensions (W x H x D)	334 x 177 x 60 mm
Protection class	IP40
Safety class	I

	■ Luminaires for central battery systems	■ Self contained luminaires
Illuminant	3W LED-bar	3W LED-bar
Light current mains operation	350lm	350lm
Luminous flux		
Emergency (DC)/mains	-	15% -50% / 100%
Power consumption	6VA	6VA
Battery current input	19mA	-
Rated operating time		
Battery operation	-	1h/3h/8h
Voltage supply	230V 50/60Hz / 220V DC +25/-20%	230V 50/60Hz
NiMh-Akku	-	4,8V 0,8Ah
Temperature range	-10°C to +40°C	-
non-maintained mode	-	-0°C to +35°C
maintained mode	-	-5°C to +30°C
optional:		
Multi-switch and monitoring module	MSÜ3 SET009 SET010 DALI	-
Self monitoring	-	SELF CHECK
Central monitoring	-	SAFELOG



Accessories

Cable assembly set only for ceiling mounting	Exit pictogram FR
Chain assembly set only for ceiling mounting	Exit pictogram FL
Wall bracket, white	Exit pictogram FU
Central pendulum	Blind pane for single-sided pictogram mounting
Wire guard for wall mounting	

* Other pictograms available on request.