



STEP-LIGHT

Safety luminaire in compliance with EN 60598-1/2-22 and EN 1838.

Almost wall-flush luminaire body made of die-cast aluminum, powder-coated in black, rectangular design for recessed wall or step mounting.

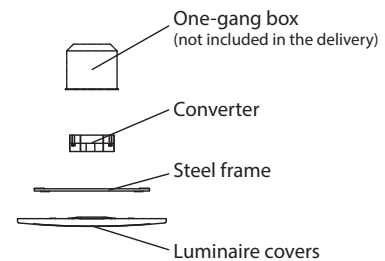
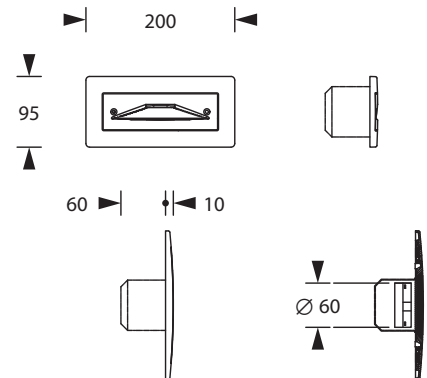
The luminaire body is equipped with a high-power LED with surface emission and is mounted in a device box.

Technical specifications

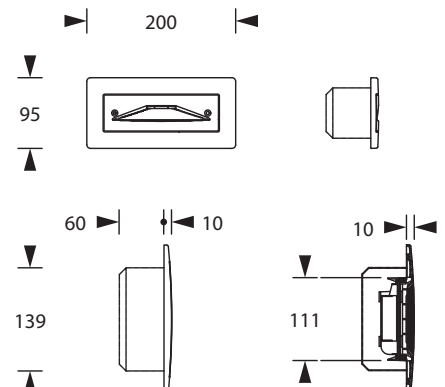
Luminaire type	Luminaires for central battery systems	Self contained luminaires
Illuminant	3 W LED	3 W LED
Connecting terminals	3 x 2.5 mm ² for double assignment	
Colour	black	
Material	Aluminum die-cast/Polycarbonate	
Mounting type	Wall/step recessed mounting	
Dimensions (W x H x D)	WE 200 x 95 x 10 mm	
Protection class	IP54	
Protection class container	IP40	
Safety class	I	
IK Safety class	IK03	
Light current (mains)	120 lm	120 lm
Light current (emergency)		
Battery duration 1h	-	120 lm
Battery duration 3h	-	120 lm
Battery duration 8h	-	120 lm
Luminous flux		
Emergency (DC) / mains		
Battery duration 1h	-	100% / 100%
Battery duration 3h	-	100% / 100%
Battery duration 8h	-	100% / 100%
Power consumption	6 VA	5 VA
Battery current input	15 mA	-
Battery duration		
Battery operation	-	1h / 3h / 8h
Voltage supply	230V 50/60Hz; 220V DC +25/-20%	230V 50/60Hz
NiMH-battery		
Battery duration 1h	-	4,8V 2,0Ah
Battery duration 3h	-	4,8V 2,0Ah
Battery duration 8h	-	4,8V 2,0Ah
Temperature range	-10°C to +40°C	-
Non-maintained mode	-	0°C to +35°C
Maintained mode	-	-5°C to +30°C
optional		
Multi-switch and monitoring module	ELC MSÜ3 SET010	-
Self monitoring	-	SELF CHECK
Central monitoring	-	SAFELOG Line
Wireless monitoring	-	SAFELOG Wireless

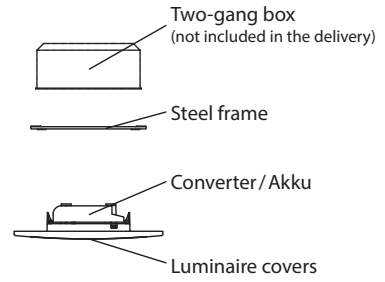


Wall-/step recessed mounting



Wall-/step recessed mounting



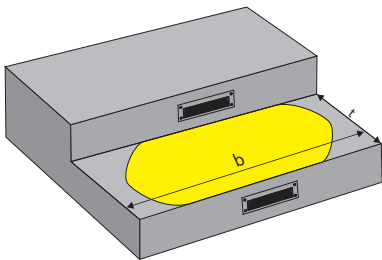


Use in device boxes

The following device boxes are compatible with the luminaire (not included in the scope of delivery)

Type	Manufacturer	Manufacturer Art. No.	Remarks
One-gang boxes for cavity wall installation	KAISER	6264-22	Or another make with min. 61 mm depth and the same clear inside diameter, ceiling cutout \varnothing 68 mm
One-gang boxes for flushmounting installation	KAISER	1555-04	Or another make with min. 66 mm depth and the same clear inside diameter, ceiling cutout \varnothing 60 mm
One-gang boxes for on-side mixed concrete	KAISER	1260-01	Or another make with min. 79 mm depth and the same clear inside diameter, ceiling cutout \varnothing 60 mm
Two-gang boxes for cavity wall installation	KAISER	9062-02	Wall cutout: 2x \varnothing 68 mm
Two-gang boxes for flushmounting installation	KAISER	1656-21	Wall cutout: 2x \varnothing 60 mm
Two-gang boxes for onside mixed concrete	KAISER	1269-01	Wall cutout: 60 x 131 mm

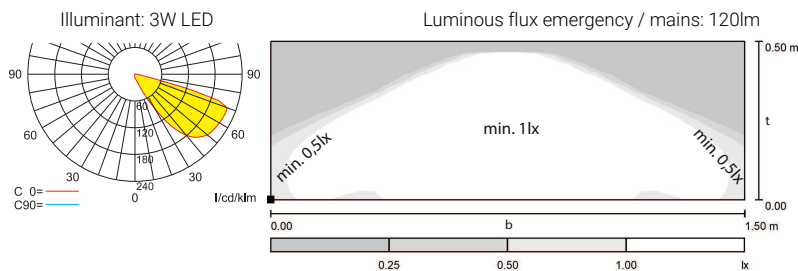
Lighting data and tables of luminaire distances (E = 1,25 lx)



Step mounting

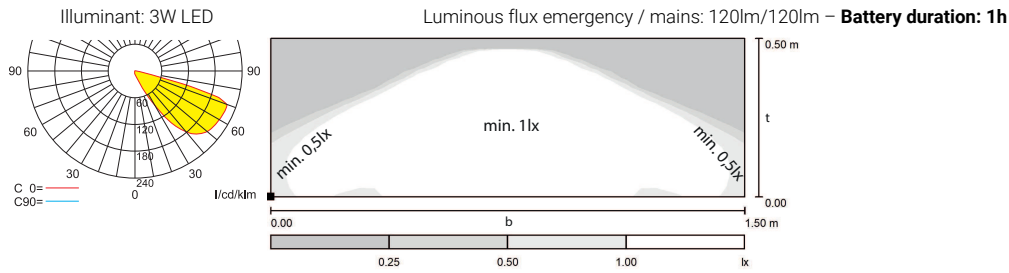
Luminaires for central battery systems

Distance table for plane emergency routes / distance data in meters



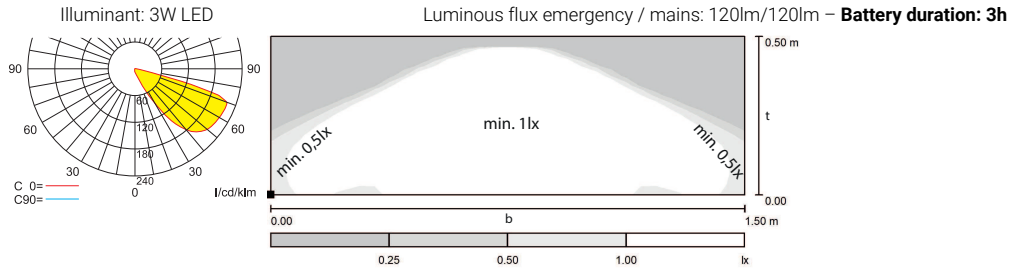
Self contained luminaires

Distance table for plane emergency routes / distance data in meters



Self contained luminaires

Distance table for plane emergency routes / distance data in meters



Self contained luminaires

Distance table for plane emergency routes / distance data in meters

